

For ProLite TF1215MC, ProLite TF2215MC

CHECKING THE CONTENTS OF THE PACKAGE

The following accessories are included in your package. Check to see if they are enclosed with the monitor. If anything is missing or damaged, please contact your local iiyama dealer or regional iiyama office.

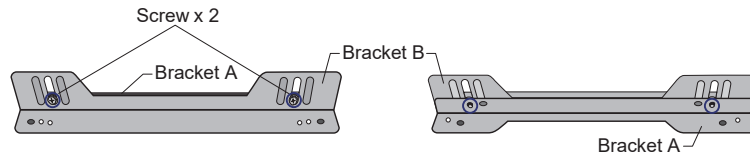
- Mount-Bracket (Bracket A) : 6pcs (7221771A301: 2pcs for ProLite TF1215MC, 7221769A0101: 4pcs for ProLiteTF2215MC)
- L-Bracket (Bracket B) : 6pcs (7221772A0201: 2pcs for ProLite TF1215MC, 7221768A0101: 4pcs for ProLite TF2215MC)
- Bracket Screw M4×6 : 16pcs (8pcs for ProLite TF1215MC , 16pcs for ProLite TF2215MC)
- User Manual (this document)

SPECIAL NOTES

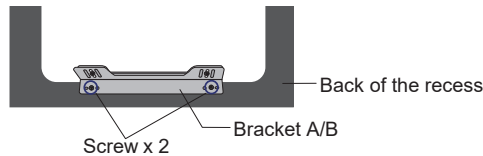
Mount-Brackets, L-Brackets and screws are necessary to install an open frame monitor.

- CAUTION**
- The Mount-Brackets and L-Brackets are designed to be mounted to specific wall types and hardware, in accordance with the installation instructions.
 - Using Mount-Brackets, L-Brackets or screws other than those specified in the installation instructions may damage the monitor.

- ① As shown in figure below, tighten Bracket A to B using the screws supplied.
(Bracket A/B: ProLite TF1215MC: 2 pcs each, ProLite TF2215MC: 4 pcs each
Screws: ProLite TF1215MC: 4 pcs, ProLite TF2215MC: 8 pcs)

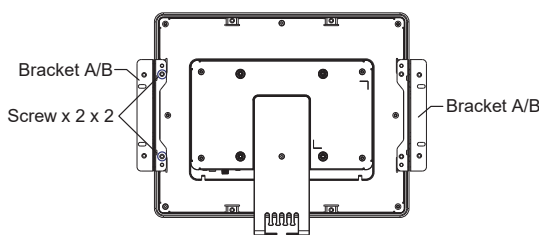


- ② Attach the Bracket A/B(①) to the back of the recess, where the monitor is to be attached, and fix it with screws.
(Customer's screws: ProLite TF1215MC: 4 pcs, ProLite TF2215MC: 8 pcs)

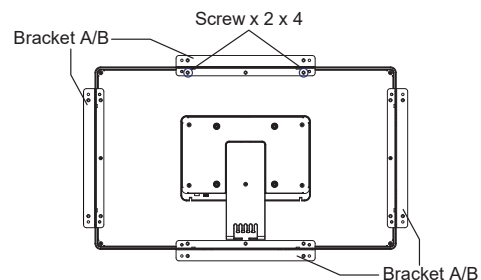


- ③ Attach the monitor from the front side of the recess and fix with the screws.
(Screws: ProLite TF1215MC: 4 pcs, ProLite TF2215MC: 8 pcs)

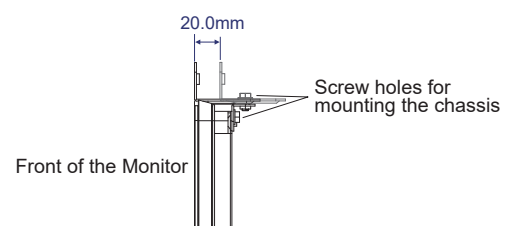
ProLite TF1215MC



ProLite TF2215MC



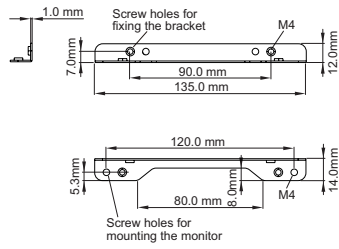
- NOTE**
- You will need a screwdriver to mount the Bracket A/B.
 - Brackets A/B and screws are necessary to install an open frame monitor. For details regarding the operating temperature and humidity conditions, see specification of this User Manual.
 - The position of the L-bracket can be either 0 mm or 20.0 mm from the front of the monitor depending on which screw holes you choose for mounting it.



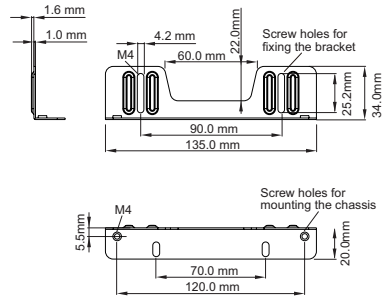
● Bracket dimensions

■ ProLite TF1215MC

<Bracket A>

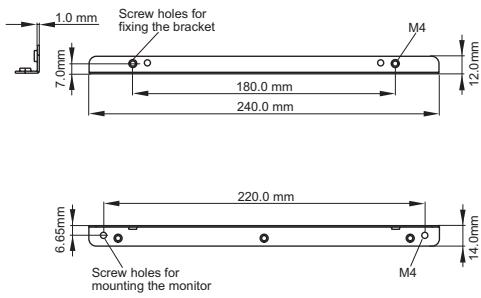


<Bracket B>

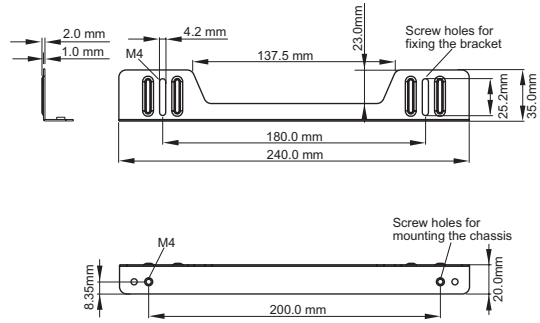


■ ProLite TF2215MC

<Bracket A>

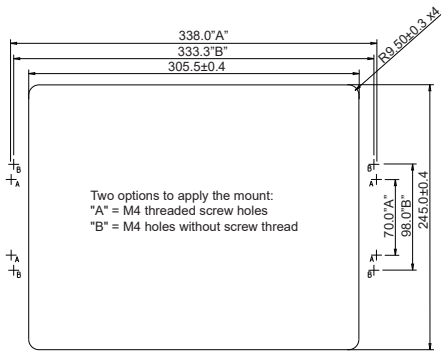


<Bracket B>



<Mount size>

■ ProLite TF1215MC



■ ProLite TF2215MC

