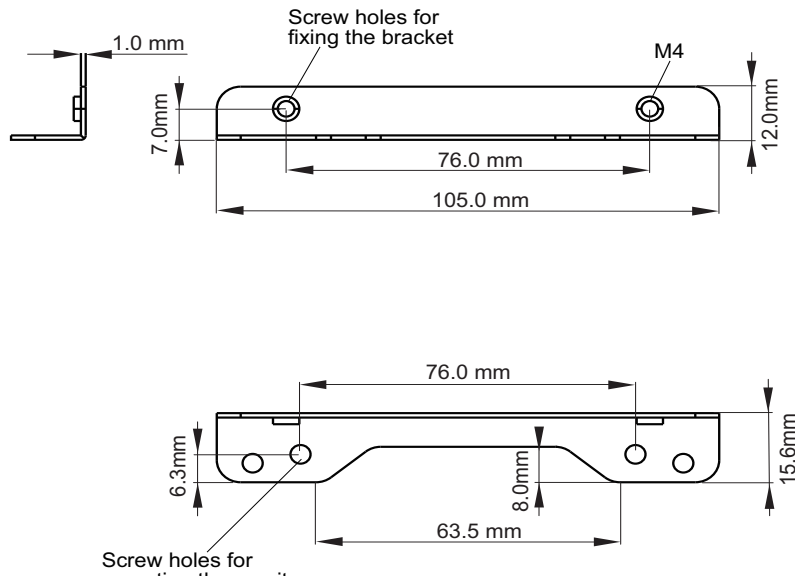


● Bracket dimensions

<Bracket A>



<Bracket B>

