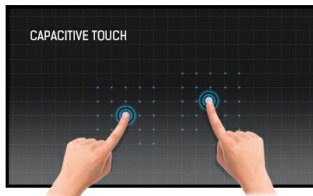




### 23" 10 point touch monitor with edge-to-edge glass and IPS panel

With its Full HD (1920x1080) resolution and accurate Projective Capacitive 10 point touch technology, the ProLite T2336MSC delivers seamless and accurate touch response. The IPS panel technology guarantees high performance with exceptional colour reproduction and wide viewing angles, making it an excellent choice for a vast array of demanding interactive applications. The flexible stand can be positioned at several angles, creating a comfortable and ergonomic user experience.



#### Touch technology - Capacitive

This technology uses a sensor-grid of micro-fine wires integrated into the glass that covers the screen. Touch is detected because electrical characteristics of the sensor grid change when human finger is placed on the glass. Thanks to the glass overlay this technology is highly durable, and the touch function remains unaffected even if the glass is scratched. It offers perfect picture performance and will work with human finger (also latex gloved) and stylus-pen.



#### Scratch resistance

Scratch resistance is essential for touch solutions used in public places and schools. This is achieved thanks to a glass overlay covering the screen. It guarantees high durability of the touch function and even more importantly the touch function remains unaffected even if the glass is scratched.

## 01 DISPLAY CHARACTERISTICS

<b>Design</b>	Edge to edge glass
<b>Diagonal</b>	23", 58.4cm
<b>Panel</b>	IPS LED
<b>Native resolution</b>	1920 x 1080 (2.1 megapixel Full HD)
<b>Aspect ratio</b>	16:9
<b>Panel brightness</b>	250 cd/m <sup>2</sup>
<b>Brightness</b>	215 cd/m <sup>2</sup> with touch
<b>Light transmittance</b>	85%
<b>Static contrast</b>	1 000:1 with touch
<b>Advanced contrast</b>	5M:1
<b>Response time (GTG)</b>	5ms
<b>Viewing zone</b>	horizontal/vertical: 178°/178°, right/left: 89°/89°, up/down: 89°/89°
<b>Colour support</b>	16.7mln
<b>Horizontal Sync</b>	30 - 80kHz
<b>Viewable area W x H</b>	509.18 x 286.41mm, 20 x 11.3"
<b>Pixel pitch</b>	0.2652mm
<b>Bezel colour and finish</b>	black, matte

## 02 TOUCH

<b>Touch technology</b>	projective capacitive
<b>Touch points</b>	10 (HID, only with supported OS)
<b>Touch method</b>	stylus, finger, glove (latex)
<b>Touch interface</b>	USB
<b>Supported operating systems</b>	All iiyama monitors are Plug & Play and compatible with Windows and Linux. For details regarding the supported OS for the touch models, please refer to the driver instruction file available in the downloads section.
<b>Palm rejection</b>	yes

## 03 INTERFACES / CONNECTORS / CONTROLS

<b>Analog signal input</b>	VGA x1
<b>Digital signal input</b>	DVI x1 HDMI x1
<b>Audio output</b>	Speakers 2 x 2W
<b>USB HUB</b>	x4 (v.3.0)

## 04 FEATURES

<b>OSD key lock</b>	yes
---------------------	-----

## 05 GENERAL

<b>OSD languages</b>	EN, DE, FR, ES, IT, PT, CN, RU, JP
<b>Control buttons</b>	Scroll up / Audio Adjust / Blue Light Reducer, Scroll down / ECO, Auto, Menu, Power
<b>User controls</b>	luminance (contrast, brightness, ECO, i-Style colour, ACR), image setup (clock, phase, H.position, V.position, aspect), colour temp., OSD setup (H.position, V. position, timeout, language), extra (reset, signal select, HDMI audio, OD, information), volume, auto adjust

<b>Convenience</b>	Kensington-lock™ prepared
<b>Blue light reducer</b>	yes
<b>Plug&amp;Play</b>	DDC2B

## 06 MECHANICAL

<b>Tilt angle</b>	90° up; 5° down
<b>VESA mounting</b>	100 x 100mm

## 07 ACCESSORIES INCLUDED

<b>Cables</b>	power, VGA, DVI, USB, Audio
<b>Guides</b>	quick start guide, safety guide

## 08 POWER MANAGEMENT

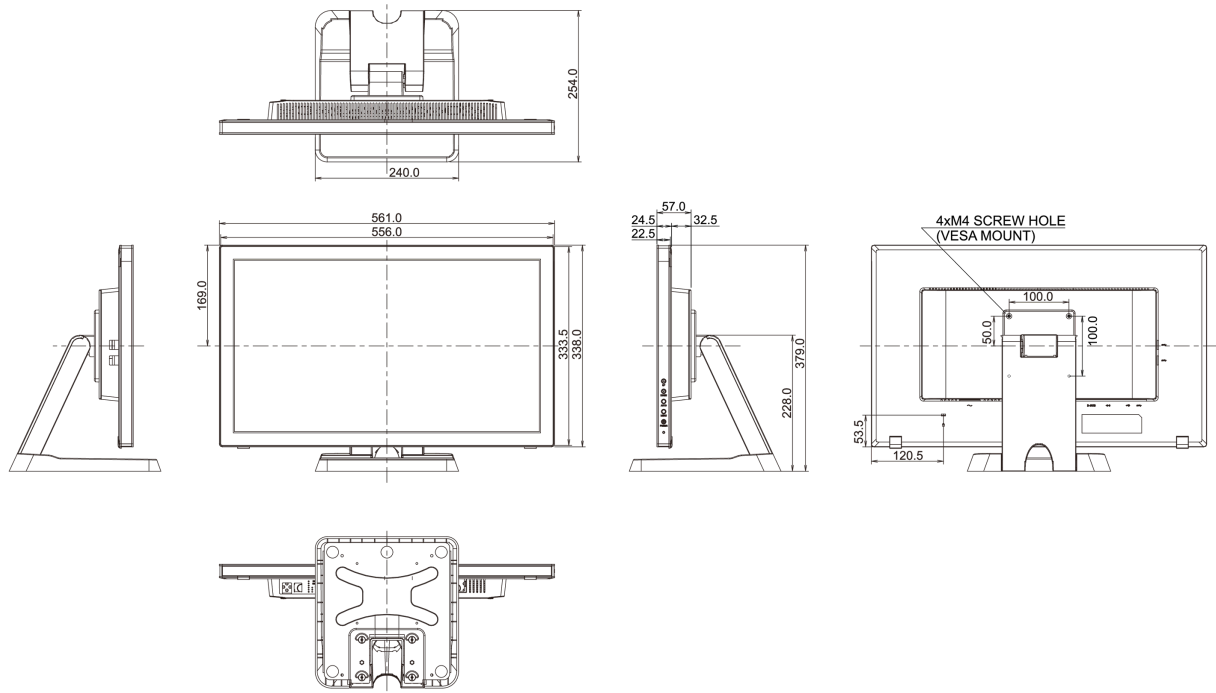
<b>Power supply unit</b>	internal
<b>Power supply</b>	AC 100 - 240V, 50/60Hz
<b>Power usage</b>	25.3W typical, 0.4W stand by, 0.32W off mode

## 09 SUSTAINABILITY

<b>Regulations</b>	CE, TÜV-Bauart, PSE, RoHS support, ErP, WEEE, CU, VCCI, REACH
<b>Energy efficiency class (Regulation (EU) 2017/1369)</b>	F
<b>REACH SVHC</b>	above 0.1%: Lead

## 10 DIMENSIONS / WEIGHT

<b>Product dimensions W x H x D</b>	561 x 379 x 254mm
<b>Weight (without box)</b>	6.3kg
<b>EAN code</b>	4948570114030



All trademarks and registered trademarks acknowledged. E & O E. Specification subject to change without notice. All LCD's comply with ISO-9241-307:2008 in connection with pixel defects.

© IYAMA CORPORATION. ALL RIGHTS RESERVED