



**Open Frame PCAP 10 point touch screen equipped with a foam seal finish for seamless integration**

The ProLite TF1015MC (10.1 inch) uses PCAP touch technology and is built into an eye catching bezel with edge-to-edge glass. Thanks to a glass overlay covering the screen and a rugged bezel, it guarantees high durability and scratch-resistance, making it perfect for kiosk and high use public facing applications. Equipped with a foam seal finish it supports seamless integration into kiosks and provides IP65 rating resulting in dust and water resistance from the front. Landscape, portrait and face-up orientation ensures flexible mounting possibilities in almost any installation. For ease of integration, the TF1015MC can be equipped with optional external mounting brackets ([OMK2-1](#)) making it an ideal solution for kiosk integrators, industrial environments, control rooms and interactive multimedia.



**Touch through-glass**

This through glass touch screen works right through glass and can turn glass surfaces into an interactive touch screen display. Use it on storefront windows, real estate office, in-store for POS or restaurants.



**Foam Seal**

A foam seal finish (8mm) around the monitor ensures seamless integration and optimal dust protection.

## 01 DISPLAY CHARACTERISTICS

|                         |   |
|-------------------------|---|
| Design                  | Open Frame  |
| Diagonal                | 10.1", 25.7cm   |
| Panel                   | VA LED  |
| Native resolution       | 1280 x 800 (1 megapixel)  |
| Aspect ratio            | 16:10   |
| Panel brightness        | 500 cd/m <sup>2</sup>   |
| Brightness              | 450 cd/m <sup>2</sup> with touch                                      |
| Light transmittance     | 90%   |
| Static contrast         | 1300:1  |
| Response time (BTB)     | 25ms  |
| Viewing zone            | horizontal/vertical: 170°/170°, right/left: 85°/85°, up/down: 85°/85° |
| Horizontal Sync         | 31.4 - 49.7kHz  |
| Viewable area W x H     | 216.96 x 135.6mm, 8.5 x 5.3"  |
| Pixel pitch             | 0.1695mm  |
| Bezel colour and finish | black   |

## 02 TOUCH

|                             |   |
|-----------------------------|---|
| Touch technology            | projective capacitive   |
| Touch points                | 10 (HID, only with supported OS)  |
| Touch method                | stylus, finger, glove (latex)   |
| Touch interface             | USB   |
| Supported operating systems | All iiyama monitors are Plug & Play and compatible with Windows and Linux. For details regarding the supported OS for the touch models, please refer to the driver instruction file available in the downloads section. |
| Through-Glass               | 6mm   |

## 03 INTERFACES / CONNECTORS / CONTROLS

|                      |                           |
|----------------------|---------------------------|
| Analog signal input  | VGA x1                    |
| Digital signal input | HDMI x1<br>DisplayPort x1 |
| Audio output         | Mini jack x1              |
| HDCP                 | yes                       |

## 04 FEATURES

|                           |   |
|---------------------------|---|
| Extra                     | anti-fingerprint coating, touch through-glass |
| Glass thickness           | 3.3mm   |
| Glass hardness            | 7H  |
| 60950 Ball drop test      | yes   |
| Water and dust protection | IP65 (front)                                  |
| Water tight seal          | yes   |
| OSD key lock              | yes   |

## 05 GENERAL

|               |                            |
|---------------|----------------------------|
| OSD languages | EN, DE, FR, ES, IT, CN, JP |
|---------------|----------------------------|

|                        |  |
|------------------------|--|
| <b>Control buttons</b> | Menu, Scroll up/ Brightness, Scroll down/ Contrast, Select, Power  |
| <b>User controls</b>   | picture (contrast, brightness, H-position, V-position, phase, clock, auto adjust), advanced (color temp, sharpness), OSD (timeout, position, H-position, V-position, touch switch), option (reset, language, source select, display mode, factory) |
| <b>Plug&amp;Play</b>   | DDC2B  |

## 06 MECHANICAL

|                                    |                              |
|------------------------------------|------------------------------|
| <b>Orientation</b>                 | landscape, portrait, face-up |
| <b>VESA mounting</b>               | 100 x 100mm                  |
| <b>Operation temperature range</b> | 0°C - 40°C                   |
| <b>Storage temperature range</b>   | - 20°C - 60°C                |

## 07 ACCESSORIES INCLUDED

|               |  |
|---------------|--|
| <b>Cables</b> | power (1.8m), USB (1.8m), HDMI (1.8m), DP (1.8m)                   |
| <b>Guides</b> | quick start guide, safety guide                                    |
| <b>Other</b>  | AC adapter, Touch Panel Driver Disk (CD-ROM), external control pad |

## 08 POWER MANAGEMENT

|                          |  |
|--------------------------|--|
| <b>Power supply unit</b> | external                                   |
| <b>Power supply</b>      | DC 12 V                                    |
| <b>Power usage</b>       | 8W typical, 0.89W stand by, 0.31W off mode |

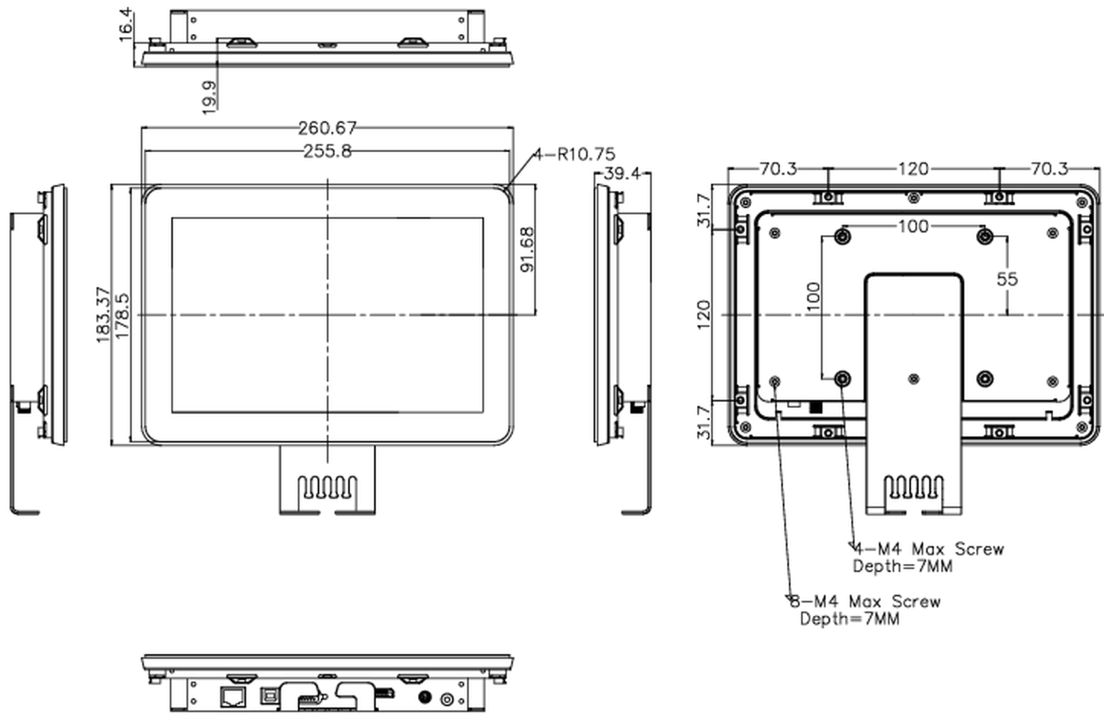
## 09 SUSTAINABILITY

|  |   |
|--|---|
| <b>Regulations</b>   | CB, CE, RoHS support, ErP, WEEE, CU, cULus, REACH |
| <b>Energy efficiency class (Regulation (EU) 2017/1369)</b> | E   |
| <b>REACH SVHC</b>  | above 0.1%: Lead                                  |

## 10 DIMENSIONS / WEIGHT

|                                     |                        |
|-------------------------------------|------------------------|
| <b>Product dimensions W x H x D</b> | 260.5 x 183.5 x 39.5mm |
| <b>Weight (without box)</b>         | 1.4kg                  |
| <b>EAN code</b>                     | 4948570116744          |

iiyama - TF1015MC-B2



All trademarks and registered trademarks acknowledged. E & O E. Specification subject to change without notice. All LCD's comply with ISO-9241-307:2008 in connection with pixel defects.

© IIYAMA CORPORATION. ALL RIGHTS RESERVED