



**10pt touch Open Frame monitor with IPS panel and touch through glass function**

The ProLite TF2215MC-B2 (21.5 inch) uses PCAP touch technology and is built into an eye-catching bezel with edge-to-edge glass. Thanks to a glass overlay covering the screen and a rugged bezel, it guarantees high durability and scratch-resistance, making it perfect for kiosk and high use public facing applications. Equipped with a foam seal finish it supports seamless integration into kiosks and provides IP65 rating resulting in dust and water resistance from the front. Landscape, portrait and face-up orientation ensures flexible mounting possibilities in almost any installation. For ease of integration, the TF2215MC-B2 can be equipped with optional external mounting brackets ([OMK3-1](#)) making it an ideal solution for kiosk integrators, industrial environments, control rooms and interactive multimedia.



**Touch through-glass**

This through glass touch screen works right through glass and can turn glass surfaces into an interactive touch screen display. Use it on storefront windows, real estate office, in-store for POS or restaurants.



**Foam Seal**

A foam seal finish (8mm) around the monitor ensures seamless integration and optimal dust protection.

## 01 DISPLAY CHARACTERISTICS

Design	Open Frame
Diagonal	21.5", 54.6cm
Panel	IPS LED
Native resolution	1920 x 1080 (2.1 megapixel Full HD)
Aspect ratio	16:9
Panel brightness	350 cd/m <sup>2</sup>
Brightness	315 cd/m <sup>2</sup> with touch
Light transmittance	90%
Static contrast	1000:1
Response time (BTB)	14ms
Viewing zone	horizontal/vertical: 178°/178°, right/left: 89°/89°, up/down: 89°/89°
Horizontal Sync	31.4 - 82kHz
Viewable area W x H	476.064 x 267.786mm, 18.7 x 10.5"
Pixel pitch	0.24795mm
Bezel colour and finish	black

## 02 TOUCH

Touch technology	projective capacitive
Touch points	10 (HID, only with supported OS)
Touch method	stylus, finger, glove (latex)
Touch interface	USB
Supported operating systems	All iiyama monitors are Plug & Play and compatible with Windows and Linux. For details regarding the supported OS for the touch models, please refer to the driver instruction file available in the downloads section.
Through-Glass	6mm

## 03 INTERFACES / CONNECTORS / CONTROLS

Analog signal input	VGA x1
Digital signal input	HDMI x1 DisplayPort x1
Audio output	Mini jack x1
HDCP	yes

## 04 FEATURES

Extra	anti-fingerprint coating, touch through-glass
Glass hardness	7H
60950 Ball drop test	yes
Water and dust protection	IP65 (front)
Water tight seal	yes
OSD key lock	yes

## 05 GENERAL

OSD languages	EN, DE, FR, ES, IT, CN, JP
Control buttons	Menu, Scroll up/ Brightness, Scroll down/ Contrast, Select, Power

**User controls**

picture (contrast, brightness, H-position, V-position, phase, clock, auto adjust), advanced (color temp, sharpness), OSD (timeout, position, H-position, V-position, touch switch), option (reset, language, source select, display mode, factory)

**Plug&Play**

DDC2B

**06 MECHANICAL****Orientation**

landscape, portrait, face-up

**VESA mounting**

100 x 100mm

**Operation temperature range**

0°C - 40°C

**Storage temperature range**

- 20°C - 60°C

**07 ACCESSORIES INCLUDED****Cables**

power, USB, HDMI, DP

**Guides**

quick start guide, safety guide

**Other**

AC adapter, Touch Panel Driver Disk (CD-ROM), external control pad

**08 POWER MANAGEMENT****Power supply unit**

external

**Power supply**

DC 12 V

**Power usage**

20.8W typical, 1.05W stand by, 0.32W off mode

**09 SUSTAINABILITY****Regulations**

CB, CE, RoHS support, ErP, WEEE, CU, cULus, REACH

**Energy efficiency class (Regulation (EU) 2017/1369)**

F

**REACH SVHC**

above 0.1%: Lead

**10 DIMENSIONS / WEIGHT****Product dimensions W x H x D**

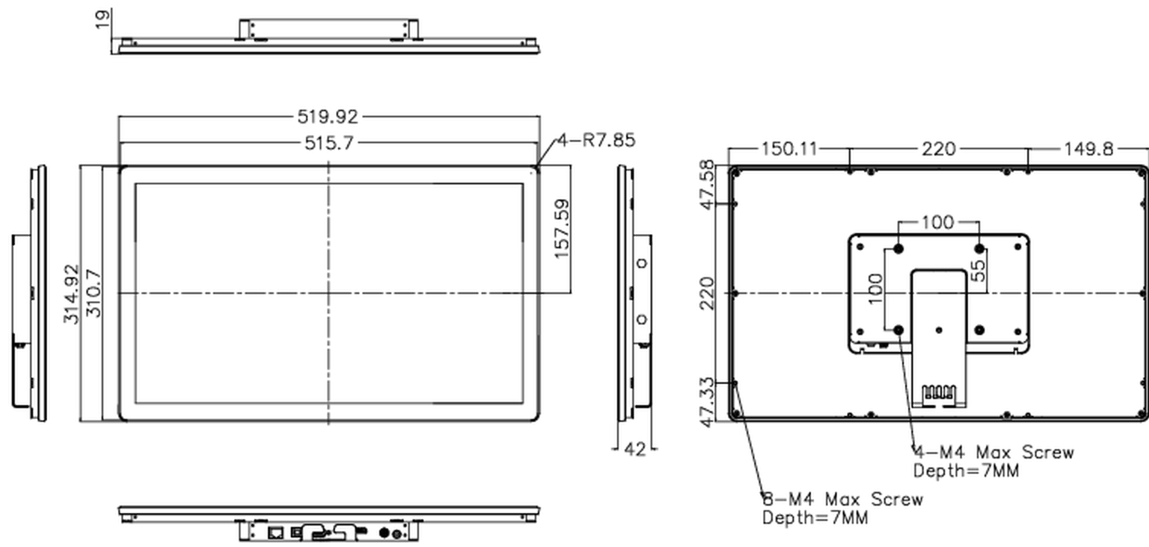
520 x 315 x 42.5mm

**Weight (without box)**

4.4kg

**EAN code**

4948570116768



All trademarks and registered trademarks acknowledged. E & O E. Specification subject to change without notice. All LCD's comply with ISO-9241-307:2008 in connection with pixel defects.

© IIYAMA CORPORATION. ALL RIGHTS RESERVED