



15.6" Full HD PCAP 10pt touch screen with Android and POE Technology

The ProLite TW1523AS-B1P touch panel PC is a perfect choice for high-use environments such as retail, interactive POS, information desks or hospitality applications. Thanks to the pre-installed Android operating system, it is possible to easily customize the monitor by installing applications directly to it.

The Power over Ethernet technology (POE) allows to provide both data connection and power by a single cable, simplifying all installations. This monitor can operate in landscape, portrait and face-up orientation in 24/7 operating time. Together with the built-in microphone and speakers it offers interactive and almost limitless application possibilities.



Connectivity

The RJ45 (LAN) connector supporting Power over Ethernet technology (POE*) allows to provide both data connection and power by a single cable, simplifying all installations. Together with the built-in microphone and speakers it offers interactive and almost limitless application possibilities. *Requires 30W



Android OS

Thanks to Android OS, you can easily customize the display to your needs by installing applications directly to it.

01 DISPLAY CHARACTERISTICS

| | |
|-------------------------|---|
| Design | Edge to edge glass |
| Diagonal | 15.6", 39.5cm |
| Panel | IPS Panel Technology, LED |
| Native resolution | 1920 x 1080 (2 megapixel HD) |
| Aspect ratio | 16:9 |
| Panel brightness | 450 cd/m ² |
| Brightness | 385 cd/m ² with touch |
| Light transmittance | 85% |
| Static contrast | 1000:1 with touch |
| Response time (GTG) | 30ms |
| Viewing zone | horizontal/vertical: 170°/170°, right/left: 85°/85°, up/down: 85°/85° |
| Colour support | 16.7mln 8bit |
| Viewable area W x H | 344.16 x 193.59mm, 13.5 x 7.6" |
| Pixel pitch | 0.17925mm |
| Bezel colour and finish | black, matte |

02 TOUCH

| | |
|------------------|--|
| Touch technology | projective capacitive |
| Touch points | 10 |
| Touch method | finger, glove (latex), capacitive stylus |
| Touch interface | USB |

03 INTERFACES / CONNECTORS / CONTROLS

| | |
|-----------------------|--------------------------------------|
| Digital signal output | HDMI x1 (mini HDMI, 1920x1080 @60Hz) |
| Audio output | Speakers 2 x 2W |
| USB ports | x2 (2.0) |
| RJ45 (LAN) | x1 (PoE - IEEE802.3at/30W) |

04 FEATURES

| | |
|------------------------------|---|
| Integrated software | Android 11 |
| CPU | Rockchip RK3288, quad-core Cortex--A17 up to 1.8GHz |
| GPU | Quad-core cortex A17 |
| Storage | 16GB eMMC |
| Memory | 2GB DDR3 |
| WiFi | IEEE802.11b/g/n |
| Bluetooth | 4.0 |
| Extra | auto-rotation, microphone, SD card slot, anti-fingerprint coating |
| Max. non-stop operating time | 24/7 |
| Glass thickness | 1.8mm |
| Glass hardness | 6H |

05 GENERAL

Applications

install new application / manage application, lock application, calculator, calendar, chrome, alarm / clock / timer / stopwatch, email, manage files and folders, manage images / video / audio, organize albums, manage power on/off time, play audio files, search engine, system preferences, sound recorder, play video files

06 MECHANICAL

Orientation landscape, portrait, face-up

VESA mounting 100 x 100mm

07 ACCESSORIES INCLUDED

Guides quick start guide, safety guide

Other AC adapter

Cable cover yes

08 POWER MANAGEMENT

Power supply unit external

Power supply DC 12 V

Power usage 12W typical

09 SUSTAINABILITY

Regulations CE, RoHS support, ErP, WEEE, REACH

REACH SVHC above 0.1%: Lead

10 DIMENSIONS / WEIGHT

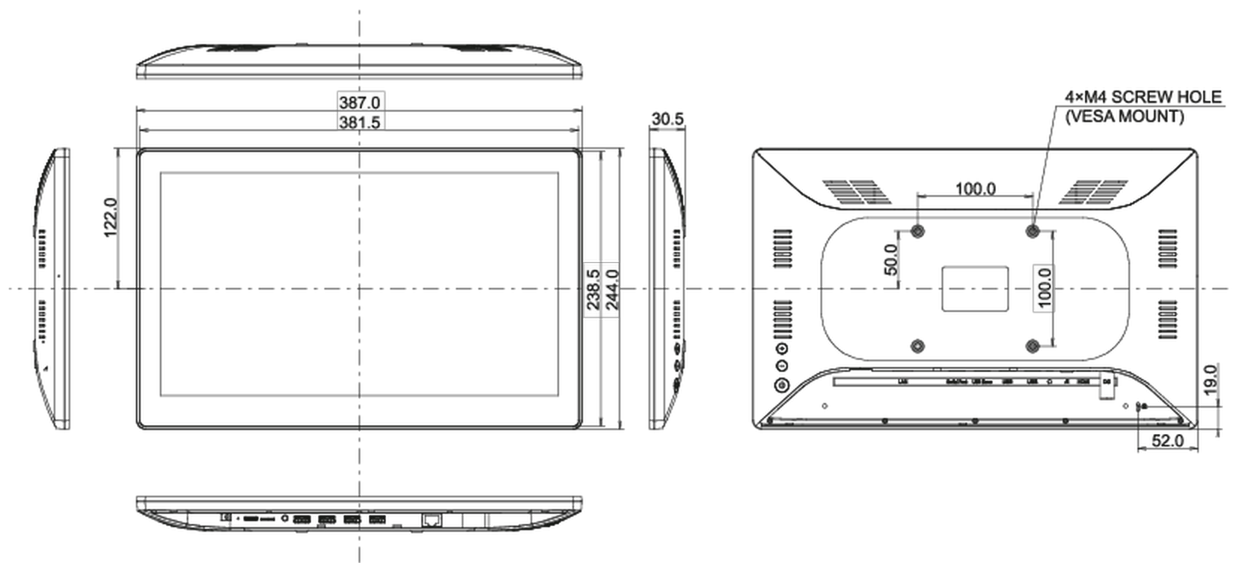
Product dimensions W x H x D 387 x 244 x 30.5mm

Box dimensions W x H x D 477 x 295 x 75mm

Weight (without box) 1.5kg

Weight (with box) 2.4kg

EAN code 4948570118014



All trademarks and registered trademarks acknowledged. E & O E. Specification subject to change without notice. All LCD's comply with ISO-9241-307:2008 in connection with pixel defects.

© IIYAMA CORPORATION. ALL RIGHTS RESERVED