



22" Full HD 10pt touchscreen featuring IPS panel technology and touch through glass function

The ProLite T2234MSC-B7X uses 10 pt Projective Capacitive touch technology, built into an eye catching bezel with edge-to-edge glass. Featuring IPS technology, it offers exceptional colour performance and wide viewing angles, making it a perfect display for Interactive Digital Signage, kiosk integrators, Instore Retail, Gaming and Interactive Presentations. In addition to the superb image quality, the monitor comes with IP65 rating, which means it is dust and water resistant and with Touch-Through-Glass technology delivering seamless and accurate touch response for true kiosk integration or behind-glass-retail.



IPS

IPS displays are best known for wide viewing angles and natural, highly accurate colours. They are especially suited for colour-critical applications.



Touch technology - Capacitive

This technology uses a sensor-grid of micro-fine wires integrated into the glass that covers the screen. Touch is detected because electrical characteristics of the sensor grid change when human finger is placed on the glass. Thanks to the glass overlay this technology is highly durable, and the touch function remains unaffected even if the glass is scratched. It offers perfect picture performance and will work with human finger (also latex gloved) and stylus-pen.

01 DISPLAY CHARACTERISTICS

| | |
|-------------------------|---|
| Diagonal | 21.5", 54.6cm |
| Panel | IPS LED |
| Native resolution | 1920 x 1080 (2.1 megapixel Full HD) |
| Aspect ratio | 16:9 |
| Panel brightness | 350 cd/m ² |
| Brightness | 305 cd/m ² with touch |
| Light transmittance | 87% |
| Static contrast | 1 000:1 with touch |
| Response time (GTG) | 8ms |
| Viewing zone | horizontal/vertical: 178°/178°, right/left: 89°/89°, up/down: 89°/89° |
| Colour support | 16.7mln |
| Horizontal Sync | 30.0 - 84.0kHz |
| Viewable area W x H | 476.0 x 267.7mm |
| Pixel pitch | 0.247mm |
| Bezel colour and finish | black, matte |

02 TOUCH

| | |
|-----------------------------|---|
| Touch technology | projective capacitive |
| Touch points | 10 (HID, only with supported OS) |
| Touch method | stylus, finger, glove (latex) |
| Touch interface | USB |
| Supported operating systems | All iiyama monitors are Plug & Play and compatible with Windows and Linux. For details regarding the supported OS for the touch models, please refer to the driver instruction file available in the downloads section. |
| Palm rejection | yes |

03 INTERFACES / CONNECTORS / CONTROLS

| | |
|----------------------|---------------------------|
| Analog signal input | VGA x1 |
| Digital signal input | HDMI x1 DisplayPort x1 |
| Audio output | Speakers 2 x 3W |
| HDCP | yes |

04 FEATURES

| | |
|---------------------------|---|
| Extra | Anti-fingerprint coating, touch through-glass |
| Glass thickness | 2.5mm |
| Glass hardness | 7H |
| Water and dust protection | IP65 (front) |

05 GENERAL

| | |
|-----------------|---|
| OSD languages | EN, DE, FR, ES, IT, CN, JP |
| Control buttons | Menu, Scroll up/ Brightness, Scroll down/ Mute, Select, Power |

| | |
|----------------------|--|
| User controls | Picture (contrast, brightness, H.position, V.position, phase, clock, auto adjust), advanced (color temp., sharpness), OSD (time out, position, H-position, V-position, Touch switch), option (reset, language, source select, display mode, volume, mute, factory) |
|----------------------|--|

| | |
|----------------------|-------|
| Plug&Play | DDC2B |
|----------------------|-------|

06 MECHANICAL

| | |
|--------------------|------------------------------|
| Orientation | landscape, portrait, face-up |
|--------------------|------------------------------|

| | |
|-------------------|-----------------|
| Tilt angle | 90° up; 5° down |
|-------------------|-----------------|

| | |
|----------------------|-------------|
| VESA mounting | 100 x 100mm |
|----------------------|-------------|

| | |
|--------------------------------|-----|
| Cable management system | yes |
|--------------------------------|-----|

07 ACCESSORIES INCLUDED

| | |
|---------------|-----------------------------|
| Cables | power, USB, HDMI, Audio, DP |
|---------------|-----------------------------|

| | |
|---------------|---------------------------------|
| Guides | quick start guide, safety guide |
|---------------|---------------------------------|

| | |
|--------------|------------|
| Other | AC adapter |
|--------------|------------|

| | |
|--------------------|-----|
| Cable cover | yes |
|--------------------|-----|

08 POWER MANAGEMENT

| | |
|--------------------------|----------|
| Power supply unit | external |
|--------------------------|----------|

| | |
|---------------------|---------|
| Power supply | DC 12 V |
|---------------------|---------|

| | |
|--------------------|---|
| Power usage | 21W typical, 1.5W stand by, 0.3W off mode |
|--------------------|---|

09 SUSTAINABILITY

| | |
|--------------------|--|
| Regulations | CE, EAC, RoHS support, ErP, WEEE, cULus, VCCI, REACH |
|--------------------|--|

| | |
|--|---|
| Energy efficiency class (Regulation (EU) 2017/1369) | F |
|--|---|

| | |
|-------------------|------------------|
| REACH SVHC | above 0.1%: Lead |
|-------------------|------------------|

10 DIMENSIONS / WEIGHT

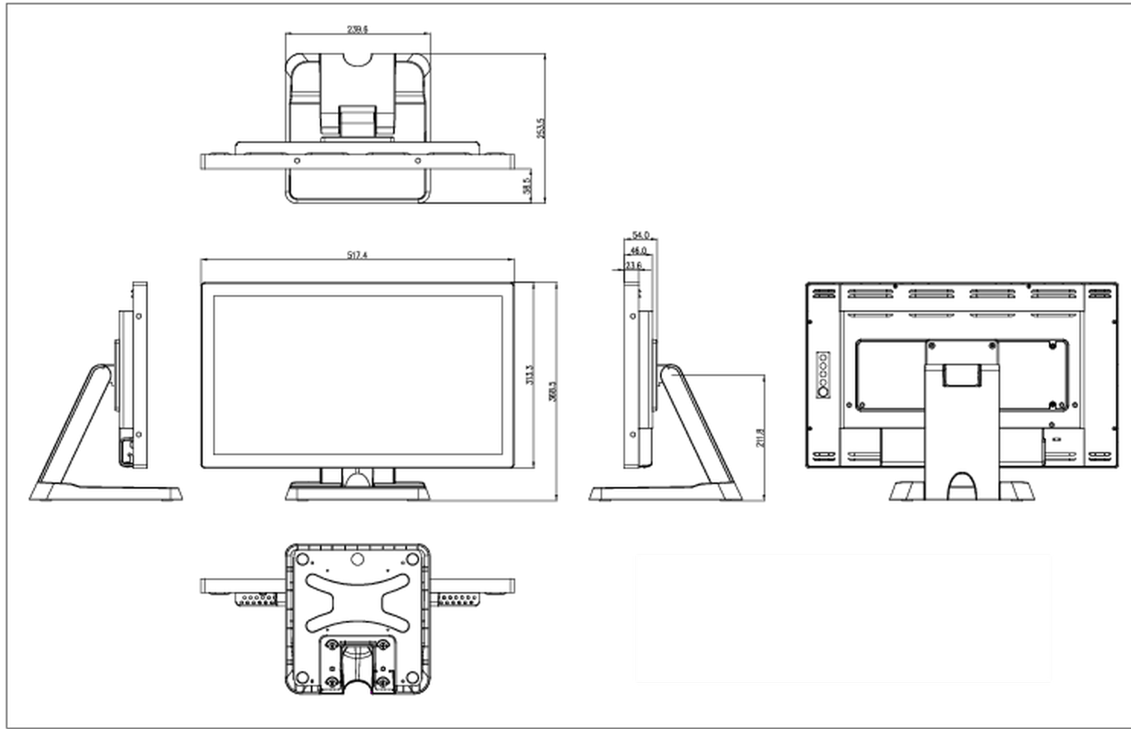
| | |
|-------------------------------------|-----------------------|
| Product dimensions W x H x D | 517.5 x 351.5 x 219mm |
|-------------------------------------|-----------------------|

| | |
|---------------------------------|-------------------|
| Box dimensions W x H x D | 615 x 405 x 330mm |
|---------------------------------|-------------------|

| | |
|-----------------------------|-------|
| Weight (without box) | 6.6kg |
|-----------------------------|-------|

| | |
|--------------------------|-------|
| Weight (with box) | 7.2kg |
|--------------------------|-------|

| | |
|-----------------|---------------|
| EAN code | 4948570118359 |
|-----------------|---------------|



All trademarks and registered trademarks acknowledged. E & O E. Specification subject to change without notice. All LCD's comply with ISO-9241-307:2008 in connection with pixel defects.

© IYAMA CORPORATION. ALL RIGHTS RESERVED