



### 15" 5-wire resistive touchscreen

The ProLite T1531SR-B6 is based on 5 wire resistive touch technology. The price / performance ratio is ideal for the budget conscious user while quality and performance are certainly not compromised. The display inputs include both analogue and digital (HDMI and DisplayPort) with touchscreen connectivity via USB offering great flexibility. A solid and steady base supports the touchscreen with an adjustable stand offering full 90-degree angles. The ProLite T1531SR-B6 can be used in a variety of environments, especially recommended for shops, restaurants and industrial purposes.



#### Touch technology - Resistive

5-wire resistive touchscreens are very durable and can be used in a variety of environments. They are especially recommended for shops, restaurants and industrial purposes.



#### IP54

The IP Code classifies how resistant a device is to foreign objects and moisture. IP54 means that the monitor will operate in dusty conditions, and will resist splashing water.

## 01 DISPLAY CHARACTERISTICS

Diagonal	15", 38cm
Panel	VA
Native resolution	1024 x 768 (0.8 megapixel)
Aspect ratio	4:3
Panel brightness	350 cd/m <sup>2</sup>
Brightness	300 cd/m <sup>2</sup> with touch
Light transmittance	80%
Static contrast	2500:1 with touch
Response time (BTB)	18ms
Viewing zone	horizontal/vertical: 176°/176°, right/left: 88°/88°, up/down: 88°/88°
Horizontal Sync	31.5 - 60.kHz
Viewable area W x H	304 x 228mm, 12 x 9"
Pixel pitch	0.297mm
Bezel colour and finish	black, matte

## 02 TOUCH

Touch technology	serial resistive
Touch points	1
Touch method	stylus, finger, glove
Touch interface	USB
Supported operating systems	All iiyama monitors are Plug & Play and compatible with Windows and Linux. For details regarding the supported OS for the touch models, please refer to the driver instruction file available in the downloads section.

## 03 INTERFACES / CONNECTORS / CONTROLS

Analog signal input	VGA x1
Digital signal input	HDMI x1 DisplayPort x1
Audio input	Mini jack x1
Audio output	Speakers 2 x 1W
HDCP	yes

## 04 FEATURES

Water and dust protection	IP54 (front)
---------------------------	--------------

## 05 GENERAL

OSD languages	EN, DE, FR, ES, IT, CN, JP
Control buttons	Menu, Scroll up/ Brightness, Scroll down/ Mute, Select, Power
User controls	contrast, brightness, lock mode (power, OSD), auto adjust, OSD, H. position, V. position, H-size, fine, OSD H. position, OSD V. position, OSD timeout, reset, input select, OSD language, colour temperature, volume, mute
Convenience	Kensington-lock™ prepared
Plug&Play	DDC2B

## 06 MECHANICAL

Tilt angle 90° up; 5° down

VESA mounting 100 x 100mm

Cable management system yes

## 07 ACCESSORIES INCLUDED

Cables power, USB, HDMI, Audio, DP

Guides quick start guide, safety guide

Cable cover yes

## 08 SUSTAINABILITY

Regulations CE, EAC, RoHS support, ErP, WEEE, cULus, VCCI, REACH, UKCA

Energy efficiency class (Regulation (EU) 2017/1369) E

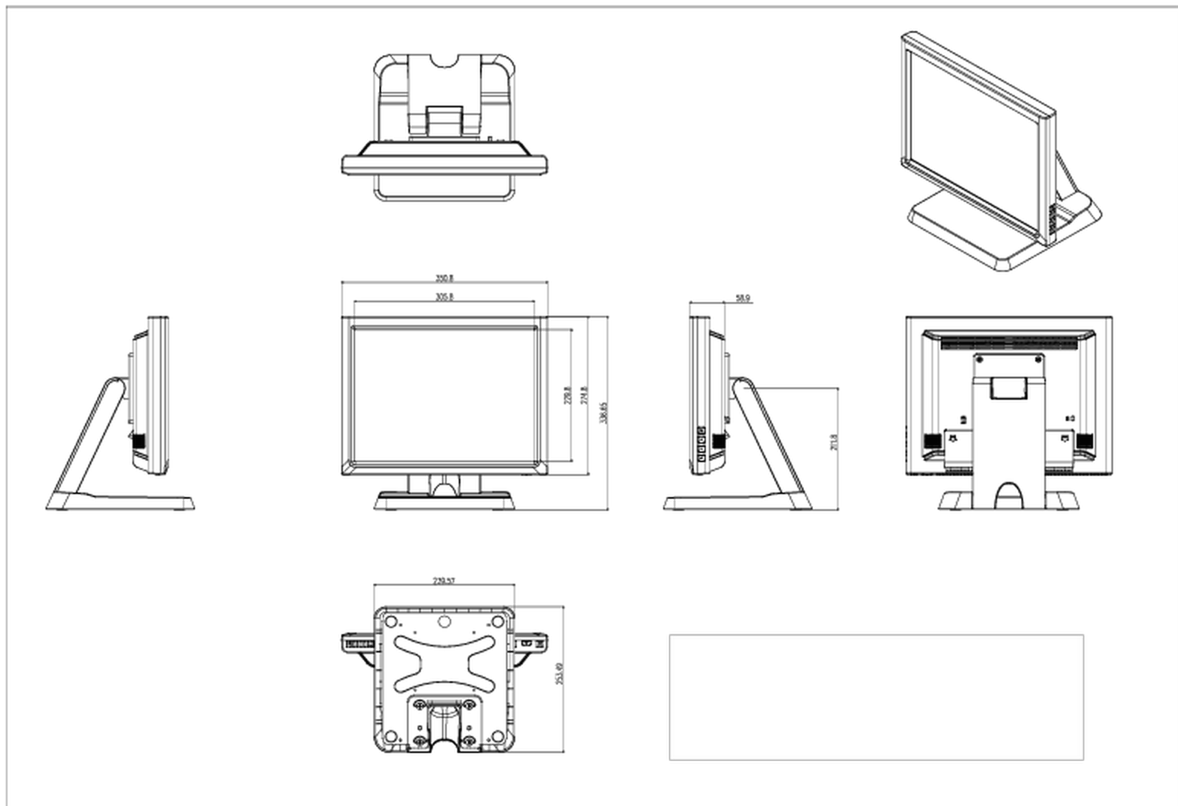
REACH SVHC above 0.1%: Lead

## 09 DIMENSIONS / WEIGHT

Product dimensions W x H x D 351 x 336.5 x 253.5mm

Weight (without box) 4.6kg

EAN code 4948570119714



All trademarks and registered trademarks acknowledged. E & O E. Specification subject to change without notice. All LCD's comply with ISO-9241-307:2008 in connection with pixel defects.